

## IMPORTANT SAFETY INSTRUCTIONS

When used in the directed manner, this unit has been designed and manufactured to ensure your personal safety. However, improper use can result in potential electrical shock or fire hazards. Please read all safety and operating instructions carefully before installation and use, and keep these instructions handy for future reference. Take special note of all warnings listed in these instructions and on the unit.

- Water and Moisture** – The unit should not be used near water. For example: near a bathtub, washbowl, kitchen sink, laundry tub, swimming pool or in a wet basement.
- Ventilation** – The unit should be situated so that its location or position does not interfere with its proper ventilation. For example, it should not be situated on a bed, sofa, rug or similar surface that may block ventilation openings. Also, it should not be placed in a built-in installation, such as a bookcase or cabinet, which may impede the flow of air through the ventilation openings.
- Heat** – The unit should be situated away from heat sources such as radiators, heat registers, stoves or other appliances (including amplifiers) that produce heat.
- Power Sources** – The unit should be connected to a power supply only of the type described in the operating instructions or as marked on the appliance.
- Power-Cable Protection** – Power supply cables should be routed so that they are not likely to be walked on or pinched by items placed upon or against them. It is always best to have a clear area from where the cable exits the unit to where it is plugged into an AC socket.
- Cleaning** – The unit should be cleaned only as recommended. See the Maintenance section of this manual for cleaning instructions.
- Objects and Liquid Entry** – Care should be taken so that objects do not fall and liquids are not spilled into any openings or vents located on the product.
- Attachments** – Do not use attachments not recommended by the product manufacturer.
- Lightning and Power Surge Protection** – Unplug the unit from the wall socket and disconnect the antenna or cable system during a lightning storm or when it is left unattended and unused for long periods of time. This will prevent damage to the product due to lightning and power-line surges.
- Overloading** – Do not overload wall sockets, extension cords, or integral convenience receptacles as this can result in a risk of fire or electric shock.
- Damage Requiring Service** – The unit should be serviced by qualified service personnel when:
  - the power supply cable or plug has been damaged.
  - objects have fallen into or liquid has been spilled into the enclosure.
  - the unit has been exposed to rain.
  - the unit has been dropped or the enclosure damaged.
  - the unit exhibits a marked change in performance or does not operate normally.
- Periods of Nonuse** – If the unit is to be left unused for an extended period of time, such as a month or longer, the power cable should be unplugged from the unit to prevent damage or corrosion.
- Servicing** – The user should not attempt to service the unit beyond those methods described in the user's operating instructions. Service methods not covered in the operating instructions should be referred to qualified service personnel.

Questions? Visit [www.ekids.com](http://www.ekids.com)

### Maintenance

- Place the unit on a level surface away from sources of direct sunlight or excessive heat.
- Protect your furniture when placing your unit on a natural wood and lacquered finish. A cloth or other protective material should be placed between it and the furniture.
- Clean your unit with a soft cloth moistened only with mild soap and water. Stronger cleaning agents such as thinner or similar materials can damage the surface of the unit.

eKids, LLC warrants this product to be free from defects in workmanship and materials, under normal use and conditions, for a period of one (1) year from the date of original purchase. Should this product fail to function in a satisfactory manner, it is best to first return it to the store where it was originally purchased. Should this fail to resolve the matter and service still be required by reason of any defect or malfunction during the warranty period, eKids will repair or, at its discretion, replace this product without charge. This decision is subject to verification of the defect or malfunction upon delivery of this product to the Factory Service Center authorized by Customer Service. If service is required, please call Customer Service at 1-800-288-2792 to obtain a Return Authorization Number and shipping instructions. A copy of the sales receipt is required to validate in-warranty coverage.

Disclaimer of Warranty - NOTE: This warranty is valid only if the product is used for the purpose for which it was designed. It does not cover (i) products which have been damaged by negligence or willful actions, misuse or accident, or which have been modified or repaired by unauthorized persons; (ii) cracked or broken cabinets, or units damaged by excessive heat; (iii) damage to digital media players, CD's or tape cassettes (if applicable); (iv) the cost of shipping this product to the Factory Service Center and its return to the owner.

This warranty is valid only in the United States of America and does not extend to owners of the product other than to the original purchaser. In no event will eKids or any of its affiliates, contractors, resellers, their officers, directors,

shareholders, members or agents be liable to you or any third party for any consequential or incidental damages, any lost profits, actual, exemplary or punitive damages. (Some states do not allow limitations on implied warranties or exclusion of consequential damages, so these restrictions may not apply to you.) This warranty gives you specific legal rights, and you may also have other rights which vary from state to state.

Your acknowledgement and agreement to fully and completely abide by the above mentioned disclaimer of warranty is contractually binding to you upon your transfer of currency (money order, cashier's check, or credit card) for purchase of your eKids product.

Questions? Visit [www.ekids.com](http://www.ekids.com)

For any other questions: 1-800-288-2792 Toll Free

### Internal Rechargeable Lithium-Ion Battery

This device uses an internal rechargeable lithium-ion battery that should last the lifetime of the device. If you suspect your battery may be dead, try charging it several times. If the battery does not recharge, please contact us for repair information.

#### WARNING/DISPOSAL OF UNIT

Please do NOT attempt to change the battery yourself. If the battery has died and you do not want to replace your battery, you should follow the disposal instructions below:

- Never dispose of used batteries/electronics with ordinary solid wastes, since they contain toxic substances.
- Always dispose of used batteries/electronics in accordance with the prevailing community regulations that apply to the disposal of batteries/electronics. If there are no local regulations concerning battery/electronics disposal, please dispose of the device in a waste bin for electronic devices.
- Many electronics retailers now recycle batteries and other electronic components at no charge. Check to see which ones in your area do so.

#### CAUTION

The battery used in this device may present a risk of fire, explosion or chemical burn if mistreated.

- Never use or charge the battery if it appears to be leaking, discolored, deformed, or in any way abnormal.
- Never disassemble the unit or attempt to remove battery as that could cause leakage of alkaline solution or other electrolytic substance.
- Always confirm that the temperature is 5°C - 35°C (41° - 95° Fahrenheit) before you charge the battery.
- Leakage or deterioration of the battery may occur if this warning is not heeded.
- Never expose the battery to any liquid.
- Never expose the battery to excessive heat such as direct sunlight or fire. Never use the battery pack in an unventilated vehicle where excessive internal temperatures may be encountered.
- Always keep the battery out of the reach of infants and small children.

**MARVEL** | iHome  
THOR HAMMER  
BLUETOOTH SPEAKER

CHARGE  
BEFORE  
USE



BC

Questions?  
Visit [www.ekids.com](http://www.ekids.com)

This item is NOT a toy

FCC Information

FCC Radiation Exposure Statement

FCC ID: EMOVIB72TH

IC: 986B-VIB72TH

Declaration ID: D092921

This equipment complies with FCC radiation exposure limits set forth for uncontrolled environment. This equipment should be installed and operated with minimum distance 20cm between the radiator and your body. This transmitter must not be co-located or operating in conjunction with any other antenna or transmitter.

This device complies with Part 15 of the FCC Rules, operation is subject to the following two conditions: (1) This device may not cause harmful interference, and (2) this device must accept any interference received, including interference that may cause undesired operation.

- Warning: Changes or modifications to this unit not expressly approved by the party responsible for compliance could void the user's authority to operate the equipment.
- NOTE: This device has been tested and found to comply with the limits for a Class B digital device, pursuant to Part 15 of the FCC Rules.

These limits are designed to provide reasonable protection against harmful interference in a residential installation. This equipment generates, uses and can radiate radio frequency energy and, if not installed and used in accordance with the instructions, may cause harmful interference to radio communications.

However, there is no guarantee that interference will not occur in a particular installation. If this equipment does cause harmful interference to radio or television reception, which can be determined by turning the equipment off and on, the user is encouraged to try to correct the interference by one or more of the following measures:

- Reorient or relocate the receiving antenna.
- Increase the separation between the equipment and receiver.
- Connect the equipment into an outlet on a circuit different from that to which the receiver is connected.
- Consult the dealer or an experienced radio/TV technician for help.

CAN ICES-3 (B)/NMB-3(B)

IC Statement

This device complies with Industry Canada's license-exempt RSSs. Operation is subject to the following two conditions: (1) this device may not cause interference, and (2) this device must accept any interference, including interference that may cause undesired operation of the device.

Le présent appareil est conforme aux CNR d'Industrie Canada applicables aux appareils radio exempts de licence. L'exploitation est autorisée aux deux conditions suivantes : (1) l'appareil ne doit pas produire de brouillage, et (2) l'appareil doit accepter tout brouillage radioélectrique subi, même si le brouillage est susceptible d'en compromettre le fonctionnement.

The device meets the exemption from the routine evaluation limits in section 2.5 of RSS 102 and compliance with RSS-102 RF exposure, users can obtain Canadian information on RF exposure and compliance. Le dispositif rencontre l'exemption des limites courantes d'évaluation dans la section 2.5 de RSS 102 et la conformité à l'exposition de RSS-102 rf, utilisateurs peut obtenir l'information canadienne sur l'exposition et la conformité de rf.

IC Radiation Exposure Statement

The device is compliance with RF exposure guidelines, users can obtain Canadian information on RF exposure and compliance. The minimum distance from body to use the device is 20cm.

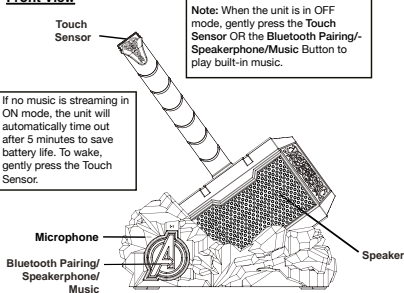
Le présent appareil est conforme Après examen de ce matériel aux conformités ou aux limites d'intensité de champ RF, les utilisateurs peuvent sur l'exposition aux radiofréquences et la conformité et compliance d'acquies les informations correspondantes. La distance minimale du corps à utiliser le dispositif est de 20cm. This Class B digital apparatus complies with Canadian ICES-003.

Cet appareil numérique de la classe B est conforme à la norme NMB-003 du Canada.

IMPORTANT

Read before proceeding  
If you have any question regarding the operation or use of this product, please visit [www.ekids.com](http://www.ekids.com) to view answers to frequently asked questions.  
To learn more about this and other iHome products, please visit us online at [www.ekids.com](http://www.ekids.com)

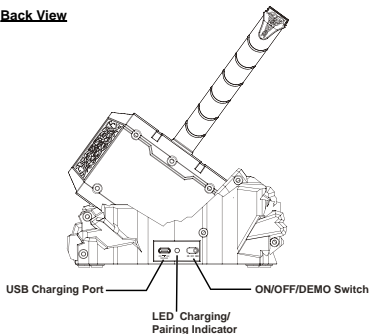
## Front View



## Getting Started

The Vi-B72 is equipped with an ON/OFF/DEMO Switch. DEMO mode is for in-store demonstration only. When you are ready to use the speaker, slide the switch to ON mode.

## Back View

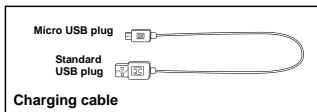


## Charging the Vi-B72

The Vi-B72 is powered by a rechargeable battery in the speaker. **Make sure to charge speaker before use, using the supplied USB cable.**

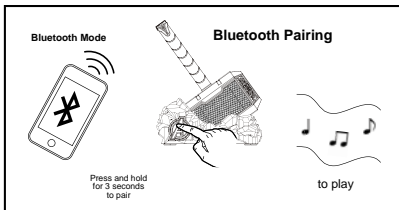
- Connect the micro-USB plug to the Charging jack on the speaker.
- Connect the standard USB plug to a powered USB port, such as that on a computer. Your computer should be connected to a wall outlet when the speaker is charging. The light on the speaker will turn to solid red while charging and turn off when fully charged.
- When the battery is low, the red LED will begin to flash. If you start to notice sound distortion at higher volumes, it's time to recharge the batteries.

NOTE: The charging LED light will override the pairing LED light pattern.

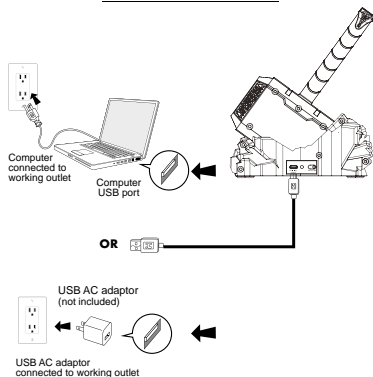


## Using Bluetooth with the Vi-B72

- Make sure your Bluetooth device and the Vi-B72 are fully charged. Turn on your Bluetooth device and turn on Bluetooth mode (check in Options or Settings).
- Slide the ON/OFF/DEMO switch on the speaker to the ON position. Press and hold the **Bluetooth Pairing/ Speakerphone/ Music Button** for 3 seconds. The blue LED light will flash quickly, and a tone will sound as the speaker enters pairing mode.
- "iHome B72 TH" should appear on your device. If "Not Connected" or similar message appears, select "iHome B72 TH" to connect. If your device asks for a passcode, enter '1234'.
- Once paired, a confirmation tone will sound and the blue LED will glow solid. You can then stream audio to the speaker.
- Control Bluetooth audio from your device. Remember to turn off the speaker and your device after listening.
- If no device is paired within 3 minutes, a failure tone will sound, the blue light will flash slowly and the unit will revert to standby mode. To retry pairing, press and hold the **Bluetooth Pairing/ Speakerphone/ Music Button** for 3 seconds. If pairing is not successful, turn the power "OFF" on the speaker and repeat pairing procedure.



## Charging the Vi-B72 CHARGE UNIT BEFORE USE



## Using the Speakerphone

The Vi-B72 also comes equipped with a Speakerphone function which will be active when a call is coming through to your linked Bluetooth device. Follow the chart below to see how to answer/ends calls and use call waiting.

Mode	Operation	Result
Incoming Call	Press	Answer Call
Incoming Call	Hold  for 3 seconds	Reject Call
On Call	Press	End Call
On Call with call incoming	Press	Answer call waiting
On Call with call incoming	Hold  for 3 seconds	Reject call waiting
Call with call waiting	Press	Ends current call, resumes call waiting
Call with call waiting	Hold  for 3 seconds	Switch between current call and call waiting