

## Troubleshooting

If one or both of the Walkie Talkies do not work, this may indicate that the batteries are weak. Insert 2 new AAA (R03) batteries into each unit.

If the signal range of the Walkie Talkies decreases notably, this may again be an indication that the batteries are weak. Insert 2 new AAA (R03) batteries into each unit.

Please keep in mind that this product does not transmit well through obstacles such as trees, buildings, and metal structures.

If there is a sizable increase in static, it may be due to the proximity of electric motors, fluorescent lights, power lines, or other signal-disrupting objects. You may have to change your location.

**If problems persist, DO NOT ATTEMPT TO REPAIR THE UNIT. See the Warranty for factory services.**

## FCC Information

This device complies with Part 15 of the FCC rules. Operation is subject to the following two conditions: (1) this device may not cause harmful interference, and (2) this device must accept any interference received, including interference that may cause undesired operation.

This equipment complies with FCC radiation exposure limits set forth for an uncontrolled environment.

**NOTE:** This equipment has been tested and found to comply with the limits for a Class B digital device, pursuant to Part 15 of the FCC rules. These limits are designed to provide reasonable protection against harmful interference in a residential installation. This equipment generates, uses, and can radiate radio frequency energy and, if not installed and used in accordance with the instructions, may cause harmful interference to radio communications. However, there is no guarantee that interference will not occur in a particular installation. If this equipment does cause harmful interference to radio or television reception, which can be determined by turning the equipment off and on, the user is encouraged to try to correct the interference by one or more of the following measures:

- Reorient or relocate the receiving antenna.
- Increase the separation between the equipment and receiver.
- Connect the equipment into an outlet on a circuit different from that to which the receiver is connected.
- Consult the dealer or an experienced radio/TV technician for help.

**WARNING:** Changes or modifications to this unit not expressly approved by the party responsible for compliance could void the user's authority to operate the equipment.

CAN ICES-3 (B)/NMB-3(B)

**Note:** All controls, adjustments and switches that's instructed in the manual or follow-up instruction provided by the manufacturer that may be operated or adjusted without resulting in a violation of FCC rules.

**Warning:** Any adjustment that could result in a violation of FCC rules and it's recommended that could be performed only by or under the immediate supervision and responsibility of a person certified as technically qualified to perform transmitter maintenance and repair duties in this radio service by an organization or committee representative of users of that service.

Effective September 30, 2019, no person shall sell or offer for sale hand-held portable radio equipment capable of operating under FRS and under any other licensed or licensed-by-rule radio services in CFR Title 47 Chapter 1.

## Limited One-Year Warranty

eKids, LLC warrants this product to be free from defects in workmanship and materials, under normal use and conditions, for a period of one (1) year from the date of original purchase.

Should this product fail to function in a satisfactory manner, it is best to first return it to the store where it was originally purchased. Should this fail to resolve the matter and service still be required by reason of any defect or malfunction during the warranty period, eKids will repair or, at its discretion, replace this product without charge. This decision is subject to verification of the defect or malfunction upon delivery of this product to the Factory Service Center authorized by Customer Service.

If service is required, please call Customer Service at 1-888-TOP-TOYS to obtain a Return Authorization Number and shipping instructions. A copy of the sales receipt is required to validate in-warranty coverage.

### Disclaimer of Warranty

**NOTE:** This warranty is valid only if the product is used for the purpose for which it was designed. It does not cover (i) products which have been damaged by negligence or willful actions, misuse or accident, or which have been modified or repaired by unauthorized persons; (ii) cracked or broken cabinets, or units damaged by excessive heat; (iii) damage to digital media players, CD's or tape cassettes (if applicable); (iv) the cost of shipping this product to the Factory Service Center and its return to the owner.

This warranty is valid only in the United States of America and does not extend to owners of the product other than to the original purchaser. In no event will eKids or any of its affiliates, contractors, resellers, their officers, directors, shareholders, members or agents be liable to you or any third party for any consequential or incidental damages, any lost profits, actual, exemplary or punitive damages. (Some states do not allow limitations on implied warranties or exclusion of consequential damages, so these restrictions may not apply to you.) This warranty gives you specific legal rights, and you may also have other rights which vary from state to state.

Your acknowledgement and agreement to fully and completely abide by the above mentioned disclaimer of warranty is contractually binding to you upon your transfer of currency (money order, cashier's check, or credit card) for purchase of your eKids product.

© 2018 eKids, LLC  
 Questions? Visit [www.ekids.com](http://www.ekids.com)  
 or call 1-888-TOP-TOYS  
 1299 Main Street Rahway NJ 07065

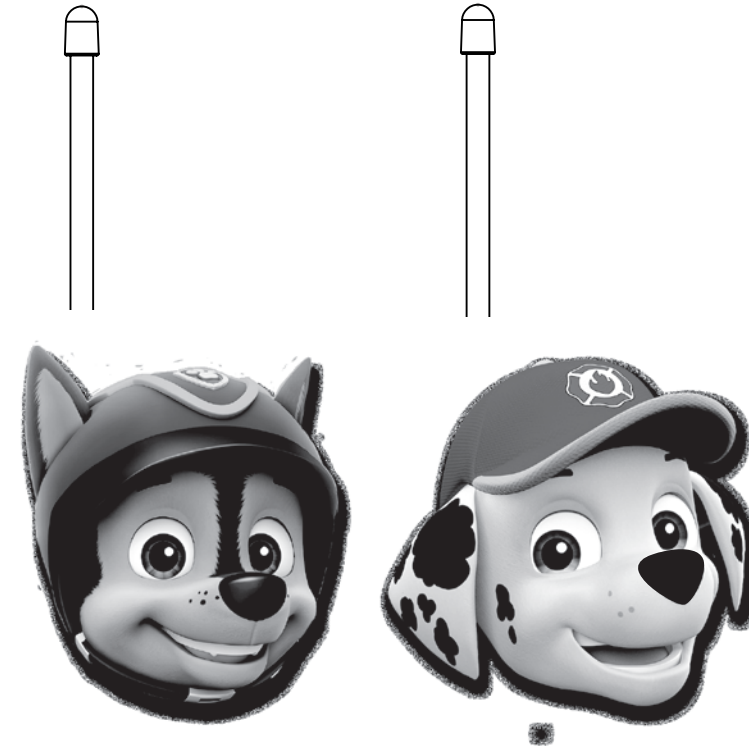
© 2018 Spin Master PAW Productions Inc.  
 All Rights Reserved.

PAW Patrol and all related titles, logos and characters are trademarks of Spin Master Ltd.  
 Nickelodeon and all related titles and logos are trademarks of Viacom International Inc.



Model: PW-202

# WALKIE TALKIES



### Important Message to Customers

Thank you for purchasing one of Nickelodeon's top-quality electronic products. Please take a moment to read through these instructions to help you understand the safe and proper way to use this toy to extend its usability.

**Keep these instructions for future reference as they contain important information.**

## Getting Started

### Installing the Batteries

Note: Batteries should always be installed by an adult.

- 1 Use a Phillips screwdriver to open the battery compartment door located on the back of the unit.
- 2 Insert 2 AAA (R03) batteries into each 2-Way Radio with + and - terminals as indicated in the compartment.
- 3 Replace the compartment door and tighten the screw with a Phillips screwdriver. Do not over-tighten the screw.

#### For the Best Possible Performance

- Only use the recommended/supplied batteries or equivalent.
- Use alkaline batteries for longer life.
- Do not mix old and new batteries, and do not mix alkaline, carbon-zinc or rechargeable nickel-cadmium batteries.
- Insert batteries with proper polarity (+/-) as indicated.
- Remove exhausted batteries from product.
- Recharge rechargeable batteries under adult supervision.
- Do not attempt to recharge non-rechargeable batteries.
- Do not open batteries or heat them beyond normal ambient temperatures.
- To prevent battery leakage or damage remove batteries from a product if it will not be used for a month or longer.
- Use extreme caution handling leaking batteries (avoid direct contact with eyes and skin). If battery leakage comes in contact with eyes, IMMEDIATELY flush the eye with lukewarm and gently flowing water for at least 30 minutes. If skin contact occurs, wash skin with clear water for at least 15 minutes. Seek medical attention if any symptoms occur.
- Store in cool, dry, ventilated area away from hazardous or combustible material.
- Do not dispose of batteries in the household trash or fire.
- Follow applicable laws and local regulations for the disposal and transportation of batteries.

## Playing Walkie Talkie Games

Walkie Talkies can be used for all kinds of fun games and activities. Here are two suggestions:

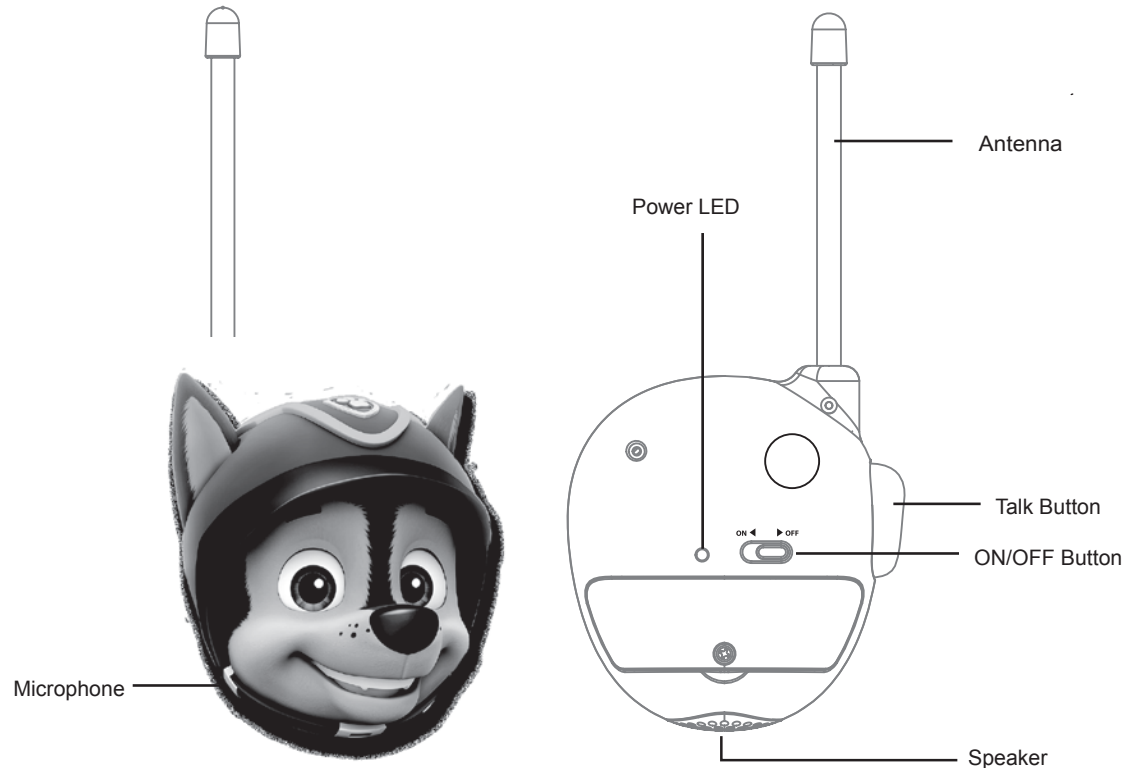
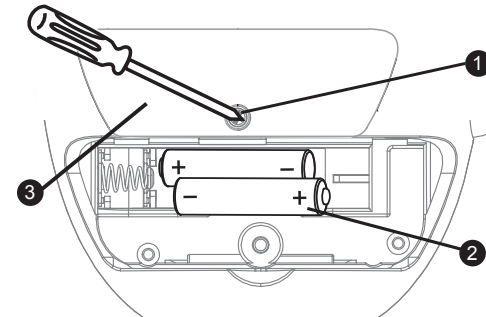
#### Hide and Seek

Just like regular Hide and Seek, but with a twist: the "Hider" can send clues to the "Seeker" using the Walkie Talkies.

#### Mystery Sounds

Can you recognize the mystery sound? One kid sends a sound over the Walkie Talkies, while another tries to guess what the sound is. Examples can include an animal, song, TV show, or anything else!

## Installing the Batteries



## Turning Power On/Off

- Slide the **ON/OFF Button** to the left to activate the Walkie Talkies. The Power LED will glow solid.
- Slide the **ON/OFF Button** to the right to shut off the Walkie Talkies. The Power LED will turn off.
- **Both** Walkie Talkies must be turned on in order to send and receive messages.

## Sending Voice Messages

Press and hold the **Talk Button** while speaking into the Microphone.

#### You Should Know

For clear transmission, keep the Microphone approximately two inches from your mouth.

## Receiving Messages

- Both Walkie Talkies must be turned on in order to send and receive messages.
- Messages cannot be received while your **Talk Button** is being pressed.
- Messages can be heard through the Speaker.

## Maintenance

It is important to keep the Walkie Talkies as dry and clean as possible. You may clean the cabinet with a cloth or sponge moistened with mild soap and water. Do not attempt to use strong cleansers or solvents, as they may cause damage.

## Questions or Comments

- For questions or comments regarding this or other eKids products, please call our toll-free number: **1-888-TOP-TOYS.**

Also visit our website: [www.ekids.com](http://www.ekids.com)

**If problems persist, please do not attempt to repair unit; see warranty for factory service.**