

## FCC Information

This device complies with Part 15 of the FCC rules. Operation is subject to the following two conditions: (1) this device may not cause harmful interference, and (2) this device must accept any interference received, including interference that may cause undesired operation.

**NOTE:** This equipment has been tested and found to comply with the limits for a Class B digital device, pursuant to Part 15 of the FCC rules. These limits are designed to provide reasonable protection against harmful interference in a residential installation. This equipment generates, uses, and can radiate radio frequency energy and, if not installed and used in accordance with the instructions, may cause harmful interference to radio communications. However, there is no guarantee that interference will not occur in a particular installation. If this equipment does cause harmful interference to radio or television reception, which can be determined by turning the equipment off and on, the user is encouraged to try to correct the interference by one or more of the following measures:

- Reorient or relocate the receiving antenna.
- Increase the separation between the equipment and receiver.
- Connect the equipment into an outlet on a circuit different from that to which the receiver is connected.
- Consult the dealer or an experienced radio/TV technician for help.

**WARNING:** Changes or modifications to this unit not expressly approved by the party responsible for compliance could void the user's authority to operate the equipment. This Class B digital apparatus complies with Canadian ICES-003.

**Cet appareil numérique de la classe B est conforme à la norme NMB-003 du Canada.**

## Cleaning and Maintenance

Transformers used with the toy are to be regularly examined for damage to the cord, plug, enclosure and other parts, and that, in the event of such damage, the toy must not be used with this transformer until the damage has been repaired.

Instructions For Transformer Toys:

- The toy is not intended for children under 3 years old.
- The toy must only be used with the recommended transformer.
- The transformer is not a toy.
- Toys liable to be cleaned with liquid are to be disconnected from the transformer before cleaning.

## Questions or Comments

- For questions or comments regarding this or other KIDdesigns products, please call our toll-free number: **1-888-TOP-TOYS**

Also visit our website: [www.kiddesigns.com](http://www.kiddesigns.com)

**If problems persist, please do not attempt to repair unit; see warranty for factory service.**

## Limited One-Year Warranty

KIDdesigns warrants this product to be free from defects in workmanship and materials, under normal use and conditions, for a period of one year from the date of original purchase. Should service be required by reason of any defect or malfunction, it is best to first return this product and all parts thereof to the store where it was originally purchased. If you need to send the product for service during the warranty period, KIDdesigns will repair or, at its discretion, replace this product without charge (except for a \$6.00 charge for handling, packing, return UPS/postage and insurance). This decision is subject to verification of the defect or malfunction upon delivery of this product to the Factory Service Center listed below. The product must include proof of purchase, including date of purchase.

Before returning this product for service, please first replace the batteries (if applicable) with fresh ones, as exhausted or defective batteries are the most common cause of problems encountered.

If service is still required:

1. Remove batteries (if applicable) and pack unit in a well-padded, heavy corrugated box.
2. Enclose a photocopy of your sales receipt, credit card statement, or other proof of the date of purchase.
3. Enclose a check or money order payable to the order of KIDdesigns, for the sum of \$6.00.
4. Send the unit prepaid to the Factory Service Center listed below.

**NOTE:** This warranty is valid only if the product is used for the purpose for which it was designed. It does not cover (i) products which have been damaged by negligence, misuse or accident, or which have been modified or repaired by unauthorized persons; (ii) cracked or broken cabinets, or units damaged by excessive heat; (iii) damage to tape cassettes (if applicable); (iv) the cost of shipping this product to the Factory Service Center and its return to the owner.

This warranty is valid only in the United States of America and does not extend to owners of the product subsequent to the original purchaser. Any applicable implied warranties are also limited to one year, and KIDdesigns will not be liable for consequential damages. (Some states do not allow limitations on implied warranties or exclusion of consequential damages, so these restrictions may not apply to you.) This warranty gives you specific legal rights, and you may also have other rights which vary from state to state.

Send unit to:

Consumer Repair Department  
KIDdesigns, Inc.  
1330 Goodyear Dr.  
El Paso, TX 79936-6420

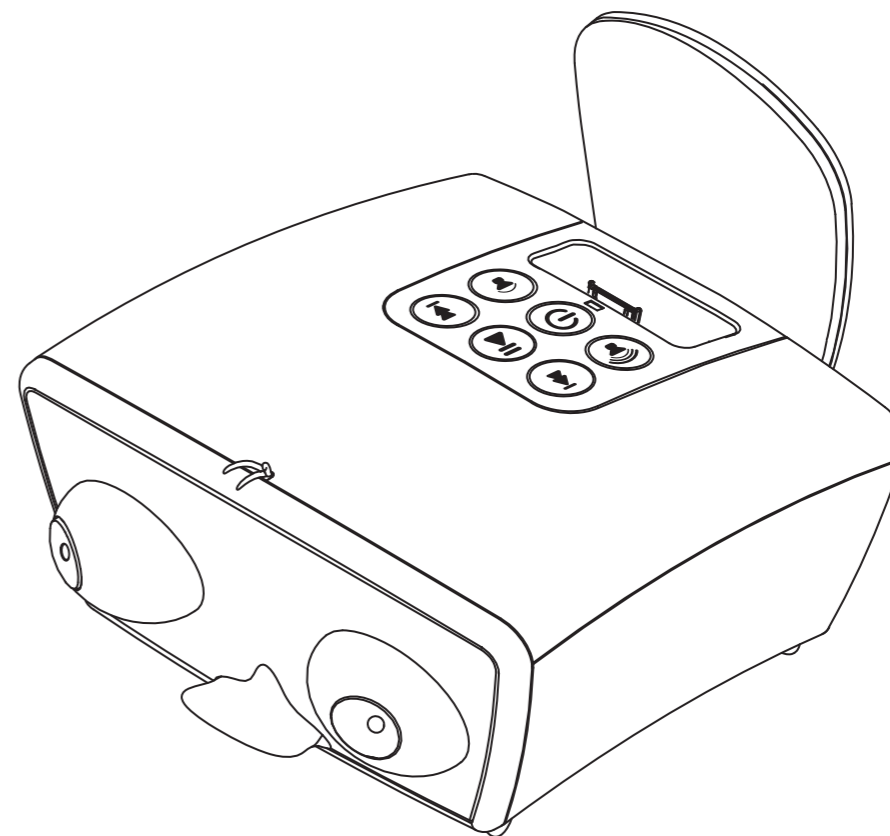
© Disney/Pixar  
Visit [disney.com/cars](http://disney.com/cars)

Distributed by KIDdesigns, Inc. Rahway, NJ 07065-5024  
eKids is a wholly owned subsidiary of KidDesigns, Inc,  
1299 Main Street Rahway NJ 07065

# Phineas and FERB

Model: PF-415

## Perry-diculous Stereo Speaker System for iPod



\* iPod not included.

### Important Message to Customers

Thank you for purchasing one of Disney/Pixar's many top-quality electronic products. We would appreciate it if you take a few moments to read through these instructions. This will help you explain to the child the safe and proper way to use this toy, and to help give it the long-lasting life that Disney/Pixar products are designed for.

## Getting Started

### Installing the Batteries

**NOTE:** This unit can operate on either battery or optional AC adaptor. While the AC adaptor is plugged in, the batteries will not be used.

**ATTENTION:** AC adaptor and batteries should only be installed by an adult.

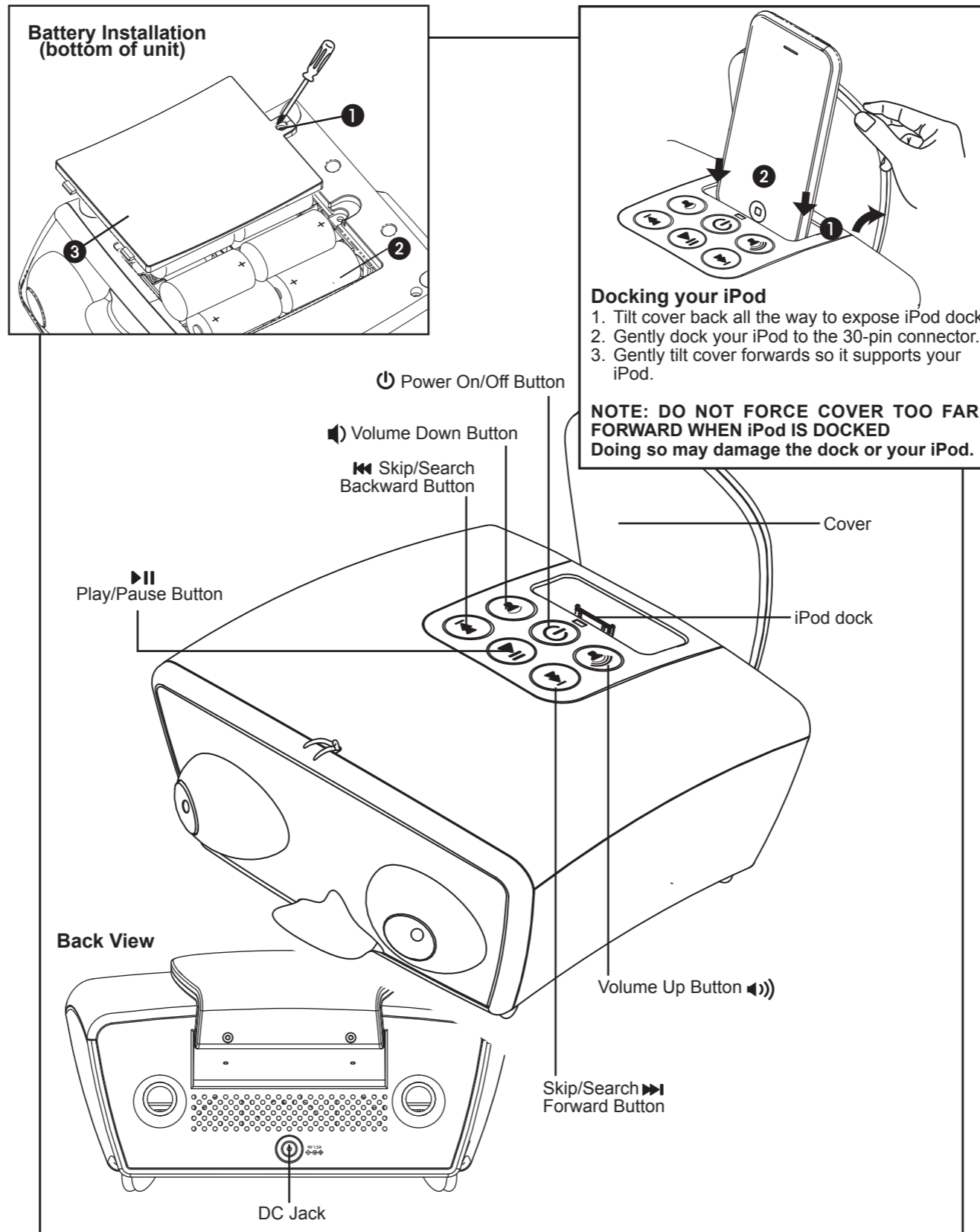
- 1 Use a Phillips screwdriver to open the battery compartment door located on the bottom of the unit.
- 2 Install 6 C size batteries, making sure that the + and - polarities match the diagram printed inside the battery compartment.
- 3 Close the battery compartment door and tighten the battery door screw. Do not over-tighten.

### For the Best Possible Performance

- We recommend the use of alkaline batteries for longer life.
- Do not mix old and new batteries.
- Do not mix alkaline, standard (carbon-zinc) or rechargeable (nickel-cadmium) batteries.
- Batteries are to be inserted with correct polarity.
- Remove exhausted batteries from the unit.
- Do not attempt to recharge non-rechargeable batteries.
- Remove the rechargeable batteries from the unit before charging.
- The supply terminals are not to be short-circuited.
- Batteries should be removed if the item is operating using the optional AC adaptor or will not be used for an extended period of time, such as a month or longer, to prevent battery leakage or damage.
- Rechargeable batteries should only be charged under adult supervision.
- Only batteries of the same or equivalent type as recommended are to be used.

## Unpacking and Setup

1. Remove the product and all packing materials from the carton.
2. It is a good idea to save the packing materials in case the unit needs to be returned for service. If you do dispose of the packing materials, please do so properly.
3. Remove any feature labels, fact tags, or clear protective films from the front or top of the unit, if applicable. Do not remove any warning labels from the back or bottom of the unit.
4. The unit should be placed on a level surface, away from direct sunlight, and away from the sources of excess dust, dirt, heat, water, moisture, vibration, and strong magnetic fields.
5. Protect your furniture when placing the unit on natural wood or wood with a lacquered or coated finish. A cloth or other protective material should be placed between the unit and the furniture.



## Optional AC Adaptor Installation

**NOTE:** The AC adaptor should only be connected by an adult.

- Connect a DC 9V 1.5A, center positive AC adaptor (not included) into the DC Jack located on the back of the unit, then plug the AC adaptor into an outlet.

## Playing and Charging your iPod

### Playing your iPod

1. Gently dock iPod in Dock (see directions at left).
2. Press **Power On/Off Button** to turn unit on.
3. Press the **Play/Pause Button** to play iPod, and again to pause.
4. Press Volume UP **Volume Up Button** or DOWN **Volume Down Button** to adjust volume to desired level.
5. Press the **Skip/Search Backward Button** or **Skip/Search Forward Button** to go to the next or previous track on your iPod. Press and hold for high speed search within the track playing.
6. When you are done listening, remember to turn the unit off (press **Power On/Off Button**).

*TIP:* You can also turn off the unit by undocking your playing iPod.

### Charging your iPod

1. Connect the unit to an optional 9V/1.5A AC adaptor to charge your iPod. **Unit will not charge iPod when operating on batteries.**

When docked and the PF-415 is connected to an outlet with an AC adaptor, your iPod will charge until fully charged. Unit will not overcharge iPod.