

A Consumer Guide to Product Safety

FCC Information

This device complies with Part 15 of the FCC rules. Operation is subject to the following two conditions: (1) this device may not cause harmful interference, and (2) this device must accept any interference received, including interference that may cause undesired operation.

Warning: Changes or modifications to this unit not expressly approved by the party responsible for compliance could void the user's authority to operate the equipment.

NOTE: This equipment has been tested and found to comply with the limits for a Class B digital device, pursuant Part 15 of the FCC Rules. These limits are designed to provide reasonable protection against harmful interference in a residential installation. This equipment generates, uses, and can radiate radio frequency energy and, if not installed and used in accordance with the instructions, may cause harmful interference to radio communications. However, there is no guarantee that interference will not occur in a particular installation. If this equipment does cause harmful interference to radio or television reception, which can be determined by turning the equipment off and on, the user is encouraged to try to correct the interference by one or more of the following measures:

- Reorient or relocate the receiving antenna,
- Increase the separation between the equipment and receiver.
- Connect the equipment into an outlet on a circuit different from that to which the receiver is connected.
- Consult the dealer or an experienced radio TV technician for help.

"This Class B digital apparatus with Canadian ICES-003"

"Cet appareil numérique de la classe B est conforme à la norme NMB-003 du Canada."

Modifying or tampering with your system's internal components can cause a malfunction and might invalidate the system's warranty and void your FCC authorization to operate it. If your system is not performing as it should, call, 1-800-TOP-TOYS for assistance.

Laser Safety

This unit employs a laser. Only a qualified person should remove the cover or attempt to service this device, because of possible eye injury.

CAUTION: USE OF CONTROLS, ADJUSTMENTS OR PERFORMANCE OF PROCEDURES OTHER THAN SPECIFIED HEREIN MAY RESULT IN HAZARDOUS RADIATION EXPOSURE.

DANGER: INVISIBLE LASER RADIATION WHEN OPEN AND INTERLOCK FAILED OR DEFEATED, AVOID DIRECT EXPOSURE TO BEAM.

CAUTION: HAZARDOUS LASER RADIATION WHEN OPEN AND INTERLOCK DEFEATED.

Cleaning and Maintenance

Transformers used with the unit are to be regularly examined for damage to the cord, plug, enclosure and other parts, and that, in the event of such damage, the unit must not be used with this transformer until the damage has been repaired.

Instructions For Transformer Units:

- The unit is not intended for children under 8 years old.
- The unit must only be used with the recommended transformer.
- The transformer is not a toy.
- Units liable to be cleaned with liquid are to be disconnected from the transformer before cleaning.

Limited One-Year Warranty

KIDdesigns warrants this product to be free from defects in workmanship and materials, under normal use and conditions, for a period of one year from the date of original purchase.

Should service be required by reason of any defect or malfunction, it is best to first return this product and all parts thereof to the store where it was originally purchased. If you need to send the product for service during the warranty period, KIDdesigns will repair or, at its discretion, replace this product without charge (except for a \$6.00 charge for handling, packing, return UPS/postage and insurance). This decision is subject to verification of the defect or malfunction upon delivery of this product to the Factory Service Center listed below. The product must include proof of purchase, including date of purchase.

Before returning this product for service, please first replace the batteries (if applicable) with fresh ones, as exhausted or defective batteries are the most common cause of problems encountered.

If service is still required:

1. Remove batteries (if applicable) and pack unit in a well-padded, heavy corrugated box.
2. Enclose a photocopy of your sales receipt, credit card statement, or other proof of the date of purchase.
3. Enclose a check or money order payable to the order of KIDdesigns, for the sum of \$6.00.
4. Send the unit prepaid to the Factory Service Center listed below.

NOTE: This warranty is valid only if the product is used for the purpose for which it was designed. It does not cover (i) products which have been damaged by negligence, misuse or accident, or which have been modified or repaired by unauthorized persons; (ii) cracked or broken cabinets, or units damaged by excessive heat; (iii) damage to tape cassettes (if applicable); (iv) the cost of shipping this product to the Factory Service Center and its return to the owner.

This warranty is valid only in the United States of America and does not extend to owners of the product subsequent to the original purchaser. Any applicable implied warranties are also limited to one year, and KIDdesigns will not be liable for consequential damages. (Some states do not allow limitations on implied warranties or exclusion of consequential damages, so these restrictions may not apply to you.) This warranty gives you specific legal rights, and you may also have other rights which vary from state to state.

Send unit to:

Consumer Repair Department
KIDdesigns, Inc.
1330 Goodyear Dr.
El Paso, TX 79936-6420

© Disney

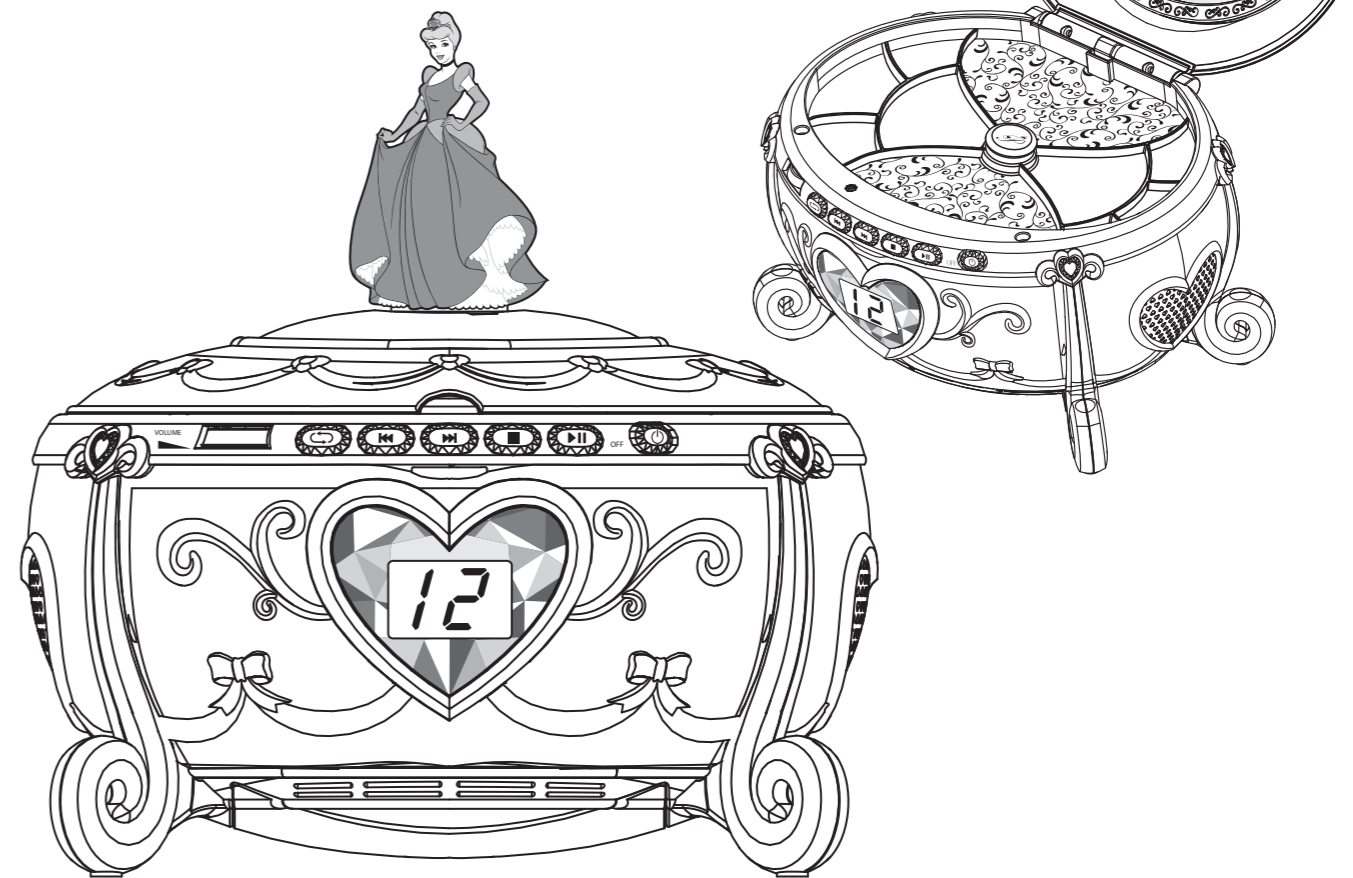
Visit the Disney website at DisneyPrincess.com

Distributed by KIDdesigns, Inc. Rahway, NJ 07065-5024
eKids is a wholly owned subsidiary of KidDesigns, Inc,
1299 Main Street Rahway NJ 07065



Model DP-430

Magical Jewelry Box CD Player



Important Message to Customers

Thank you for purchasing one of Disney/Princess's many top-quality electronic products. We would appreciate it if you take a few moments to read through these instructions. This will help you explain to the child the safe and proper way to use this toy, and to help give it the long-lasting life that Disney/Princess products are designed for.

Unpacking and Setup

1. Remove the product and all packing materials from the carton.
2. It is a good idea to save the packing materials in case the unit needs to be returned for service. If you do dispose of the packing materials, please do so properly.
3. Remove any feature labels, fact tags, or clear protective films from the front or top of the unit, if applicable. Do not remove any warning labels from the back or bottom of the unit.
4. The unit should be placed on a level surface, away from direct sunlight, and away from the sources of excess dust, dirt, heat, water, moisture, vibration, and strong magnetic fields.
5. Protect your furniture when placing the unit on natural wood or wood with a lacquered or coated finish. A cloth or other protective material should be placed between the unit and the furniture.

Figure Installation

- 1 Align arrow marks on the lid top and the figure bottom and then insert the figure into the lid.
- 2 Turn the figure to the right to lock the figure in place.

Getting Started

Installing the Batteries

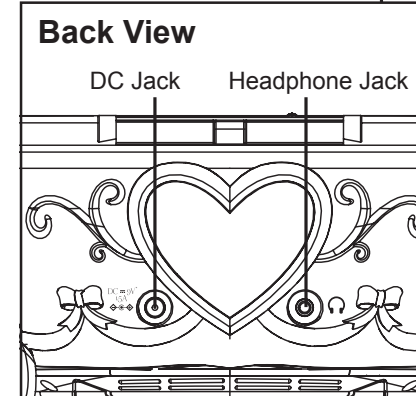
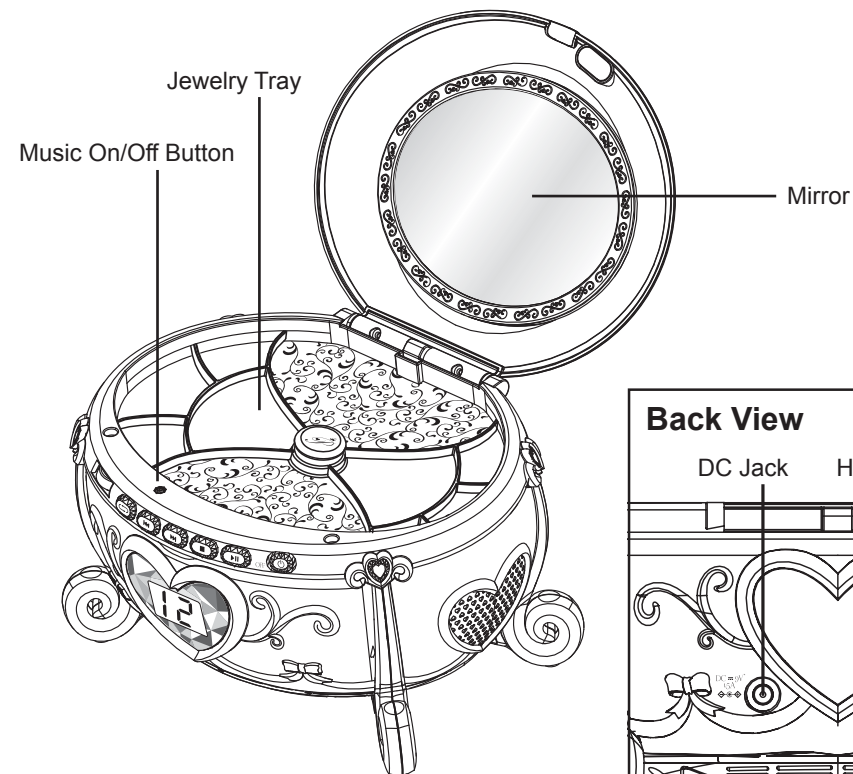
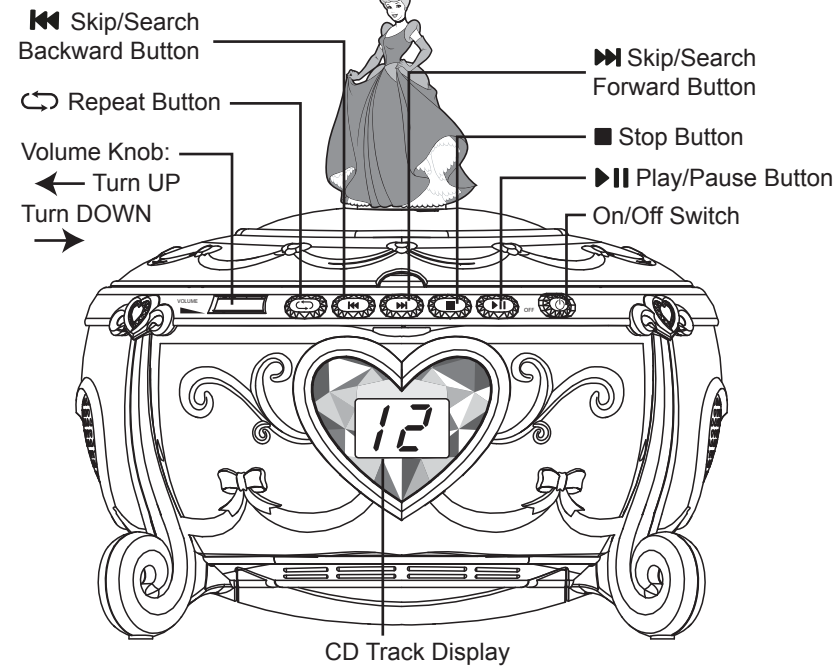
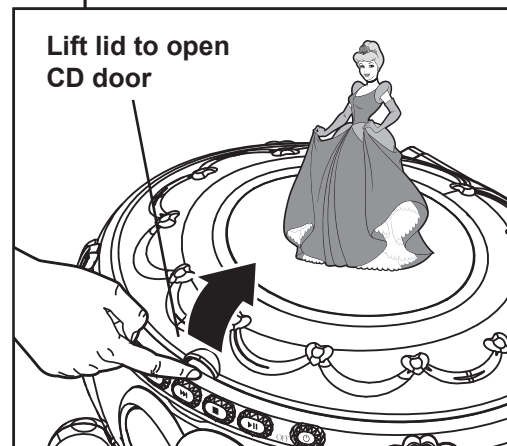
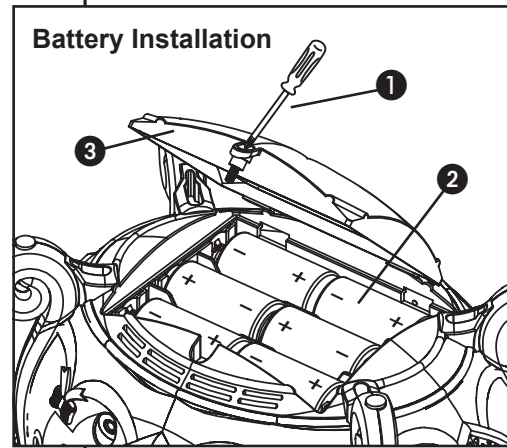
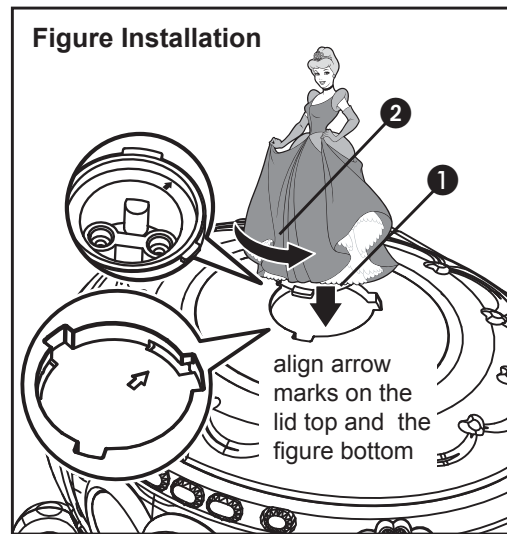
NOTE: This unit can operate on either battery or optional AC adaptor. While the AC adaptor is plugged in, the batteries will not be used.

ATTENTION: AC adaptor and batteries should only be installed by an adult.

- 1 Use a Phillips screwdriver to open the battery compartment door located on the bottom of the unit.
- 2 Install 6 C size batteries, making sure that the + and - polarities match the diagram printed inside the battery compartment.
- 3 Close the battery compartment door and tighten the battery door screw. Do not over-tighten.

For the Best Possible Performance

- We recommend the use of alkaline batteries for longer life.
- Do not mix old and new batteries.
- Do not mix alkaline, standard (carbon-zinc) or rechargeable (nickel-cadmium) batteries.
- Batteries are to be inserted with correct polarity.
- Remove exhausted batteries from the unit.
- Do not attempt to recharge non-rechargeable batteries.
- Remove the rechargeable batteries from the unit before charging.
- The supply terminals are not to be short-circuited.
- Batteries should be removed if the item will not be used for an extended period of time, such as a month or longer, to prevent battery leakage or damage.
- Rechargeable batteries should only be charged under adult supervision.
- Only batteries of the same or equivalent type as recommended are to be used



Optional AC Adaptor Installation

NOTE: The AC adaptor should only be connected by an adult.

- Connect a DC 9V 1.5A, center positive AC adaptor (not included) into the DC Jack located on the back of the unit, then plug the AC adaptor into an outlet.

Listening to Compact Discs

1. Slide the **On/Off Switch** to **On** to turn on the unit.
2. Lift the player's lid to access the mirror and jewelry tray. The built-in music will begin to play. Press the small jewelled **Music On/Off Button** as needed to stop or start the built-in music.
3. Remove the jewelry tray to access the CD compartment. Place a CD into the CD compartment, with the CD's label facing up, and then close the CD door. The CD will spin for a few seconds, and the display will show the number of tracks on the CD.
4. Press the **Play/Pause Button**. The display will show "01", and the first track will begin playing.
5. Press the **Play/Pause Button** to pause the CD. Press the **Play/Pause Button** again to resume playing the CD.
6. Press the **Skip/Search Forward Button** to skip to the beginning of the next track. Press the **Skip/Search Backward Button** to return to the beginning of the track that is currently playing. Press the **Skip/Search Backward Button** again to skip backwards to the previous track.
7. Rotate the **Volume Knob** to adjust the volume level (LEFT to raise volume, RIGHT to lower it).
8. To stop playing a CD, press the **Stop Button**.
9. To turn the power off, slide the **On/Off Switch** to **Off**.

Using the Repeat Function

1. Press the **Repeat Button** once to repeat the current track. "REPEAT" will appear on the display.
2. Press the **Repeat Button** again to repeat the entire CD. "REPEAT ALL" will appear on the display, indicating that this function has been activated. When the CD has ended, it will start over again from the beginning.
3. To cancel the repeat functions, press the **Repeat Button** until no indicators appear on the display.

Performing a High-Speed Music Search

Press and hold the **Skip/Search Forward Button** or **Skip/Search Backward Button** to search for specific passages within a track. When the passage is found, release the button. The high-speed search can only be performed while a track is playing.

Using Optional Headphones

Plug your headphones (not included) into the Headphone Jack for private listening. The speakers will not emit sound when headphones are plugged into the jack.

Questions or Comments

- For questions or comments regarding this or other KIDdesigns products, please call our toll-free number: **1-888-TOP-TOYS**. Also visit our website: www.kiddesigns.com

If problems persist, please do not attempt to repair unit; see warranty for factory service.