

## IMPORTANT SAFETY INSTRUCTIONS

1. Read these instructions.
2. Keep these instructions.
3. Heed all warning.
4. Follow all instructions.
5. Do not use this apparatus near water.
6. Clean only with dry cloth.
7. Do not block any ventilation openings. Install in accordance with the manufacture's instructions.
8. Do not install near any heat sources such as radiators, heat registers, stoves, or other apparatus (including amplifiers) that produce heat.
9. Do not defeat the safety purpose of the polarized or grounding plug. A polarized plug has two blades with one wider than the other. A grounding plug has two blades and a third grounding prong. The wide blade or the third prong is provided for your safety. If the provided plug does not fit into your outlet, consult an electrician for replacement of the obsolete outlet.
10. Protect the power cord from being walked on or pinched particularly at the plugs, convenience receptacles, and at the point where they exit from the apparatus.
11. Only use attachments/accessories specified by the manufacturer.
12. Use only with the cart, stand, tripod, bracket, or table specified by the manufacturer, or sold with the apparatus. When a cart or rack is used, use caution when moving the cart/apparatus combination to avoid injury from tip-over.
13. Unplug the apparatus during lightning storms or when unused for long periods of time.
14. Refer all servicing to qualified personnel. Servicing is required when the apparatus has been damaged in any way. Examples of damage include: Power supply cord or plug is damaged, liquid has been spilled or objects have fallen into the apparatus, the apparatus has been exposed to rain or moisture, does not operate normally, or has been dropped.



Portable Cart Warning

## IMPORTANTES INSTRUCTIONS DE SÉCURITÉ

1. Lisez la présente notice.
2. Conservez cette notice.
3. Tenez compte des avertissements.
4. Suivez l'ensemble des consignes.
5. N'utilisez jamais cet appareil à proximité d'eau.
6. Le nettoyage doit s'effectuer uniquement à l'aide d'un chiffon sec.
7. Veillez à ne pas obturer les ouvertures permettant la ventilation. Veillez à installer le produit conformément aux exigences du fabricant.
8. N'installez pas l'appareil près de sources de chaleur telles que les radiateurs, les bouches de chaleur, les cuisinières ou autres appareils (amplificateurs inclus) produisant de la chaleur.
9. Ne rendez pas inefficace la prise de mise à la terre ou la fiche polarisée servant à la sécurité. Une fiche polarisée comporte deux broches ; l'une est plus large que l'autre. Une prise de mise à la terre comporte deux broches, plus une troisième broche de mise à la terre. Cette troisième broche, plus large, est prévue pour la sécurité de l'utilisateur. Si l'introduction de cette broche dans votre prise de courant s'avère impossible, contactez un électricien qui effectuera le remplacement de la prise obsolète.
10. Protégez le cordon d'alimentation électrique des piétinements ou des tiraillements, en particulier à hauteur des prises ou des fiches d'alimentation électriques, et à leur sortie des appareils.
11. Utilisez uniquement les accessoires préconisés par le fabricant.
12. Utilisez l'appareil uniquement avec le chariot, le socle, le tripode, le support ou la table préconisés par le fabricant ou vendus avec l'appareil. Si un chariot ou un présentoir est utilisé, exercez la plus grande prudence pour éviter toute blessure provoquée par un renversement accidentel.
13. Débranchez l'appareil durant un orage ou lorsque l'appareil ne sera pas utilisé pendant de longues périodes.
14. Reportez toute réparation à un personnel qualifié. Les réparations sont exigées lorsque l'appareil a été endommagé d'une manière quelconque. Voici des exemples de dommages : le cordon d'alimentation ou la fiche est endommagé(e), du liquide a été déversé ou des objets sont tombés dans l'appareil, l'appareil a été exposé à la pluie ou à l'humidité, l'appareil ne fonctionne pas normalement ou a été échappé.



Avertissement portatif de chariot

### WARNING:

To reduce the risk of fire or electric shock, do not expose this appliance to rain or moisture.

### AVERTISSEMENT :

POUR ÉVITER LE RISQUE D'INCENDIE OU DE CHOCS ÉLECTRIQUES, NE PAS EXPOSER CET APPAREIL À LA PLUIE OU À L'HUMIDITÉ.

### CAUTION:

Use of controls or adjustments or performance of procedures other than those specified may result in hazardous radiation exposure.

### ATTENTION :

L'utilisation des commandes ou des ajustements ou l'exécution des procédures autres que ceux spécifiques peut avoir comme conséquence l'exposition de rayonnement dangereuse.

\* Caution Marking was located at bottom enclosure of the apparatus  
Les marquages sont inscrits en bas de l'appareil.



**CAUTION - TO REDUCE THE RISK OF ELECTRIC SHOCK, DO NOT REMOVE COVER (OR BACK) NO USER-SERVICEABLE PARTS INSIDE. REFER TO QUALIFIED SERVICE PERSONNEL.**

**AVERTISSEMENT - POUR RÉDUIRE LE RISQUE DE CHOC ÉLECTRIQUE, NE RETIREZ PAS LE COUVERCLE (OU L'ARRIÈRE) AUCUN USER-SERVICING AU PERSONNEL DE SERVICE QUALIFIÉ.**



This lightning flash with arrowhead symbol within an equilateral triangle, is intended to alert the user to the presence of non-insulated "dangerous voltage" within the product's enclosure that may be of sufficient magnitude to constitute a risk of electric shock to persons. Ce symbole à éclair avec une pointe de flèche dans un triangle équilatéral est pour indiquer à l'utilisateur la présence d'une «tension dangereuse» non-isolée dans le boîtier du produit qui pourrait créer un risque de choc électrique aux personnes.

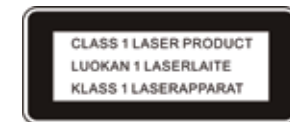


The exclamation point within an equilateral triangle is intended to alert the user to the presence of important operating and maintenance (servicing) instructions in the literature accompanying the appliance.

Le point d'exclamation dans un triangle équilatéral est pour alerter l'utilisateur à la présence d'instructions importantes d'utilisation et d'entretien dans la documentation accompagnant l'appareil.

- The apparatus shall not be exposed to dripping or splashing and that no objects filled with liquids, such as vases, shall be placed on apparatus. L'appareil ne doit pas être exposé aux écoulements ou aux éclaboussures et aucun objet ne contenant de liquide, tel qu'un vase, ne doit être placé sur l'objet.
- Mains plug is used as disconnect device and it should remain readily operable during intended use. In order to disconnect the apparatus from the mains completely, the mains plug should be disconnected from the mains socket outlet completely. La prise du secteur est utilisé pour déconnecter le système. La prise du secteur ne doit pas être obstruée ou doit être facilement accessible pendant son utilisation. Pour être complètement déconnecté de l'alimentation d'entrée, la prise doit être débranchée du secteur.
- Battery shall not be exposed to excessive heat such as sunshine, fire or the like. Les piles ne doivent pas être exposées à de forte chaleur, tel qu'à la lumière du soleil, au feu ou autres chases de semblable.

### DANGER!



This Compact disc player is classified as a Class 1 LASER PRODUCT. THE CLASS 1 LASER PRODUCT label is located on the rear exterior.

- Avoid installing the unit in locations described below:
  1. Places exposed to direct sunlight or close to heat radiating appliances such as electric heaters, or other equipments that radiate too much heat.
  2. Places subjected to constant vibration.
  3. Unventilated or dusty places.
  4. Humid or moist places.
- Operate buttons and switches as instructed in the manual.
- Before turning on the power for the first time, make sure that the power cord is properly installed and the voltage switch is correctly set.
- Store your CD or other devices in a cool area to avoid damage from heat.



# CD Boombox with Microphone

Model: 430

### FCC Information

This device complies with FCC radiation exposure limits set forth for an uncontrolled environment.

This device complies with Part 15 of the FCC Rules. Operation is subject to the following two conditions: (1) this device may not cause harmful interference, and (2) this device must accept any interference received, including interference that may cause undesired operation.

This equipment has been tested and found to comply with the limits for a Class B digital device, pursuant to part 15 of the FCC Rules. These limits are designed to provide reasonable protection against harmful interference in a residential installation. This equipment generates uses and can radiate radio frequency energy and, if not installed and used in accordance with the instructions, may cause harmful interference to radio communications. However, there is no guarantee that interference will not occur in a particular installation. If this equipment does cause harmful interference to radio or television reception, which can be determined by turning the equipment off and on, the user is encouraged to try to correct the interference by one or more of the following measures:

- Reorient or relocate the receiving antenna.
- Increase the separation between the equipment and receiver.
- Connect the equipment into an outlet on a circuit different from that to which the receiver is connected.
- Consult the dealer or an experienced radio/TV technician for help.

Any changes or modifications not expressly approved by the party responsible for compliance could void the user's authority to operate the equipment.

This device complies with Industry Canada licence-exempt RSS standard(s). Operation is subject to the following two conditions: (1) this device may not cause interference, and (2) this device must accept any interference, including interference that may cause undesired operation of the device.

Le présent appareil est conforme aux CNR d'Industrie Canada applicables aux appareils radio exempts de licence. L'exploitation est autorisée aux deux conditions suivantes : (1) l'appareil ne doit pas produire de brouillage, et (2) l'utilisateur de l'appareil doit accepter tout brouillage radioélectrique subi, même si le brouillage est susceptible d'en compromettre le fonctionnement.

CAN ICES-3 (B)/NMB-3(B)

### Getting Started

#### ACCESSORIES:

Instruction Booklet: 1pc

AC Cord: 1 pc

Microphone: 1 pc

#### POWER SOURCE

This unit is designed to be operated on AC or DC power.

#### AC OPERATION

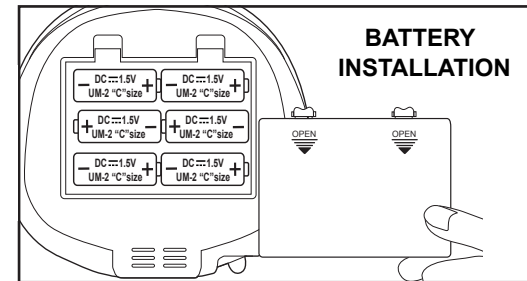
Plug the tail of AC power cord into AC socket on the unit and the plug into household AC outlet.

#### DC OPERATION

Open the BATTERY COMPARTMENT DOOR. Install 6 pcs UM-2/C size batteries (not included) into compartment. Please follow correct polarities as indicated. Disconnect the power supply cable from the back of unit.

#### For the Best Possible Performance

- Only use the recommended/supplied batteries or equivalent.
- Use alkaline batteries for longer life.
- Do not mix old and new batteries, and do not mix alkaline, carbon-zinc or rechargeable nickel-cadmium batteries.
- Insert batteries with proper polarity (+/-) as indicated.
- Remove exhausted batteries from product.
- Recharge rechargeable batteries under adult supervision.
- Do not attempt to recharge non-rechargeable batteries.
- Do not open batteries or heat them beyond normal ambient temperatures.
- To prevent battery leakage or damage remove batteries from a product if it will not be used for a month or longer.
- Use extreme caution handling leaking batteries (avoid direct contact with eyes and skin). If battery leakage comes in contact with eyes, IMMEDIATELY flush the eye with lukewarm and gently flowing water for at least 30 minutes. If skin contact occurs, wash skin with clear water for at least 15 minutes. Seek medical attention if any symptoms occur.
- Store in cool, dry, ventilated area away from hazardous or combustible material.
- Do not dispose of batteries in the household trash or fire.
- Follow applicable laws and local regulations for the disposal and transportation of batteries.
- Batteries must be disposed of separately at your local waste recycling center. Do not dispose of them in your household waste bin.



## BASIC FUNCTION

### SWITCHING ON THE UNIT

Slide the FUNCTION switch to CD/AUX or RADIO and the power indicator will light up on the front of the unit.

### TURNING OFF THE UNIT

• Slide the FUNCTION switch to OFF, and the power indicator will turn off.

### ADJUSTING VOLUME

Rotate the VOLUME CONTROL clockwise or counterclockwise to increase or decrease volume.

### RADIO OPERATION

1. Slide the FUNCTION switch to RADIO position.
2. Slide the BAND switch to select AM or FM.

Note: The FM STEREO indicator will be on if you are receiving an FM stereo program.

3. Tune to your desired station by rotating the TUNING KNOB.

4. Rotate the unit back and forth to get the best reception in AM program, or place the unit in open space.

5. Turn off the radio by sliding the FUNCTION switch to "OFF" position.

Note: This unit includes a built-in FM antenna for added safety.

## CD OPERATION

### Discs for playback

This system is CD/DA-CDR-CDRW compatible. Keep discs free of dirt and scratches. Do not touch the unit's CD lens.

### LOADING A DISC

1. Set the FUNCTION switch to CD/AUX position.
2. Open the CD door.
3. Place an audio CD into the tray with the label side facing up.
4. Close the CD door. The total number of tracks will appear in the display.
5. To start playback, press PLAY/PAUSE button.

#### Note:

- To ensure good system performance, wait until the disc tray completely reads the disc before proceeding.
- If no disc is loaded into the compartment, or the disc is placed upside down, the display will show "No".

### PLAYING A DISC

1. Press the PLAY/PAUSE button on the unit to start playback. The playback starts from track 1, "▶" will appear on the display.
2. To interrupt playback, press the PLAY/PAUSE button, "▶" and the track number will flash on the display.
3. To resume playback, press the PLAY/PAUSE button again.
4. To stop playback, press the STOP button, and the total number of tracks will appear in the display.

### SELECTING A DESIRED TRACK/PASSAGE

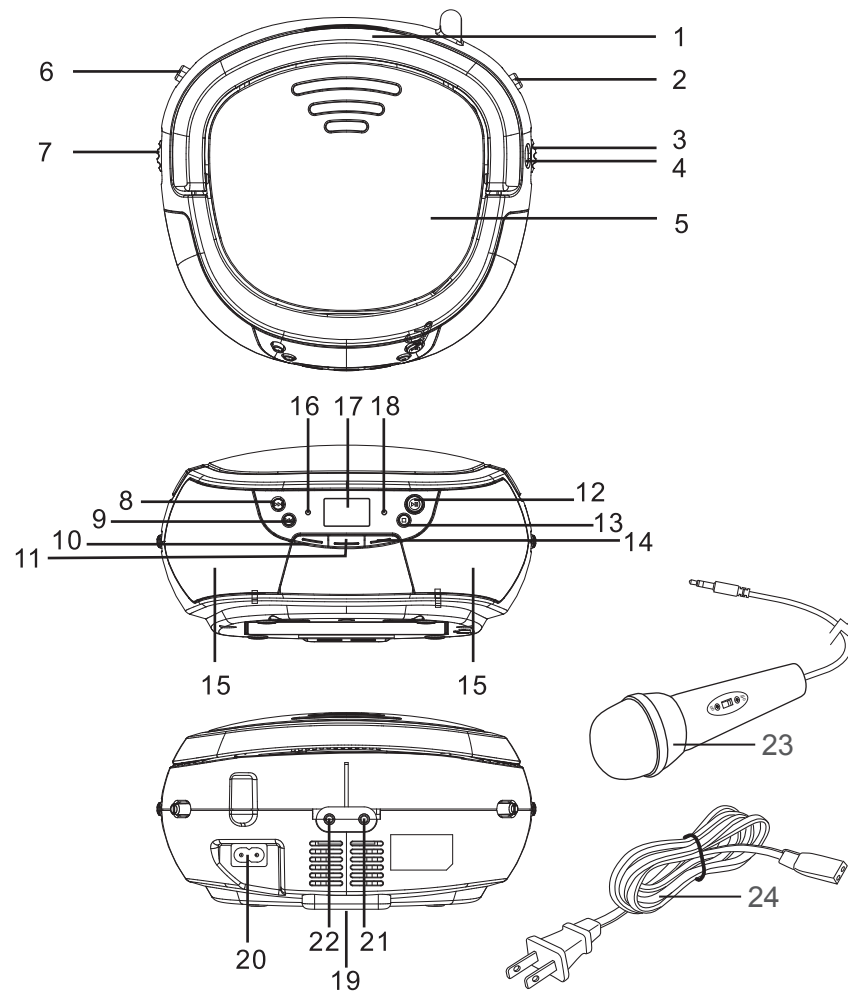
- Press the CD SKIP/SEARCH NEXT/BACK buttons repeatedly in stop mode or during play until the desired track appears on the display.
- Press the PLAY/PAUSE button to start play.

To search for a particular passage during playback, press and hold the CD SKIP/SEARCH NEXT/BACK buttons to scan the current playing track at high speed until desired point passage, and then release the button. Playback will start again from this point.

### MICROPHONE OPERATION

This unit provides one 3.5mm Mic Jack for Karaoke function. The microphone is available in all modes. Connect a 3.5mm microphone to the mic jack, then turn on the microphone.

## CONTROLS



1. HANDLE	9. CD SKIP/SEARCH BACK BUTTON	17. LCD DISPLAY
2. AM/FM	10. REPEAT BUTTON	18. FM STEREO INDICATOR
3. TUNING CONTROL	11. PROGRAM BUTTON	19. BATTERY COMPARTMENT
4. DIAL SCALE	12. PLAY/PAUSE BUTTON	20. AC SOCKET
5. CD COMPARTMENT	13. CD STOP BUTTON	21. AUX-IN JACK
6. FUNCTION SWITCH	14. RANDOM BUTTON	22. MIC JACK
7. VOLUME CONTROL	15. SPEAKERS	23. MICROPHONE
8. CD SKIP/SEARCH NEXT BUTTON	16. POWER INDICATOR	24. AC POWER CORD

## PROGRAM TRACKS

1. In stop mode, press the PROGRAM button, the PROG will flash and the 01 indicator will be on.
2. Press the CD SKIP/SEARCH NEXT button to select the first desired track to be programmed.
3. Press the PROGRAM button to enter. The display will show "02".
4. Repeat steps 2 & 3 to store other desired tracks until all tracks are programmed (max 20 tracks).
5. Press "PROG" button once more and all the programmed track numbers will be shown one by one.
6. Press the PLAY/PAUSE button to start playback from the first programmed track. (Press the STOP button to stop program playback.)

Note: To erase the Program memory, you can either press the STOP button when the disc is stopped, or open the CD compartment lid.

## REPEAT

You can play one track or all tracks on the disc repeatedly.

1. To repeat a single track, press the REPEAT button once in play mode, "REPEAT 1" will flash on the display. To cancel, press the REPEAT button until "REPEAT 1" disappears from the display.
2. To repeat ALL tracks, press REPEAT button until "REPEAT ALL" shows steady on the display. To cancel, press the REPEAT button control until "REPEAT ALL" disappears from the display.

## RANDOM PLAY

Press the RANDOM button in play mode until "RDM" shows steady on the display. The random play will start from the next track automatically (or press CD skip forward button), until all tracks are played. Press the RANDOM button again to cancel.

## AUX-IN OPERATION

This unit has an AUX-IN jack, through this jack other audio sources (MP3 players, etc) can be connected to this unit and be amplified.

1. Set the FUNCTION switch to CD/AUX position.
2. Connect the audio cable into the AUX-IN jack and the other end connect to the AUDIO OUT jack of the external audio source. The unit will change to AUX mode automatically.
3. Press PLAY on the external audio source to start playback.

## Limited One-Year Warranty

eKids warrants this product to be free from defects in workmanship and materials, under normal use and conditions, for a period of one (1) year from the date of original purchase. Should this product fail to function in a satisfactory manner, it is best to first return it to the store where it was originally purchased. Should this fail to resolve the matter and service still be required by reason of any defect or malfunction during the warranty period, eKids will repair or, at its discretion, replace this product without charge. This decision is subject to verification of the defect or malfunction upon delivery of this product to the Factory Service Center authorized by Customer Service. If service is required, please call Customer Service at 1-888-TOP-TOYS to obtain a Return Authorization Number and shipping instructions.

#### Disclaimer of Warranty

NOTE: This warranty is valid only if the product is used for the purpose for which it was designed. It does not cover (i) products which have been damaged by negligence or willful actions, misuse or accident, or which have been modified or repaired by unauthorized persons; (ii) cracked or broken cabinets, or units damaged by excessive heat; (iii) damage to digital media players, CD's or tape cassettes (if applicable); (iv) the cost of shipping this product to the Factory Service Center and its return to the owner. This warranty is valid only in the United States of America and does not extend to owners of the product other than to the original purchaser. In no event will eKids or any of its affiliates, contractors, resellers, their officers, directors, shareholders, members or agents be liable to you or any third party for any consequential or incidental damages, any lost profits, actual, exemplary or punitive damages. (Some states do not allow limitations on implied warranties or exclusion of consequential damages, so these restrictions may not apply to you.) This warranty gives you specific legal rights, and you may also have other rights which vary from state to state. Your acknowledgement and agreement to fully and completely abide by the above mentioned disclaimer of warranty is contractually binding to you upon your transfer of currency (money order, cashier's check, or credit card) for purchase of your eKids product.